

## NKX50-Z-XL

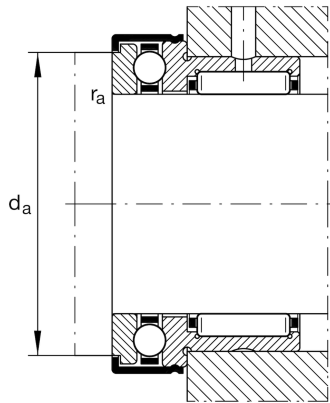
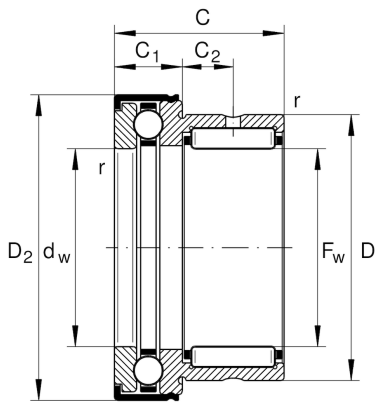
Needle roller/axial ball bearing

Schaeffler Kimliği:  
0507476300000

Needle roller/axial ball bearings NKX...-Z, axial component, single direction, to DIN 5429, with end cap, for grease lubrication

X-life

### Teknik bilgiler



### Dimensions

|             |          |                                      |
|-------------|----------|--------------------------------------|
| $D_{1\max}$ | 71,5 mm  | Maximum outside diameter flange      |
| $D_{2\max}$ | 71,5 mm  | Maximum outside diameter flange      |
| $C_1$       | 14 mm    | Width of the axial bearing component |
| $C_1$       | 10 mm    | Distance to lubrication hole         |
| $C_2$       | 10 mm    | Distance to lubrication hole         |
| $d_w$       | 50 mm    | Bore diameter of shaft washer        |
| $r_{\min}$  | 0,6 mm   | Minimum chamfer dimension            |
|             | 288,35 g | Ağırlık                              |

### Main Dimensions & Performance Data

|          |             |                                   |
|----------|-------------|-----------------------------------|
| $F_w$    | 50 mm       | Bore diameter                     |
| $D$      | 62 mm       | Outside diameter                  |
| $C$      | 35 mm       | Height                            |
| $C_r$    | 43.000 N    | Basic dynamic load rating, radial |
| $C_{0r}$ | 74.000 N    | Basic static load rating, radial  |
| $C_a$    | 29.000 N    | Basic dynamic load rating, axial  |
| $C_{0a}$ | 75.000 N    | Basic static load rating, axial   |
| $C_{ur}$ | 12.900 N    | Fatigue load limit, radial        |
| $C_{ua}$ | 3.750 N     | Fatigue load limit, axial         |
| $n_G$    | 3.300 1/min | Limiting speed                    |

### Mounting dimensions

|             |         |                                   |
|-------------|---------|-----------------------------------|
| $d_a$       | 65,5 mm | Mounting dimension shaft shoulder |
| $r_{a\max}$ | 0,6 mm  | Maximum recess radius             |

### Additional information

IR45X50X25-XL

Suitable inner rings IR

**Temperature range**

|                  |        |                            |
|------------------|--------|----------------------------|
| T <sub>min</sub> | -30 °C | Operating temperature min. |
| T <sub>max</sub> | 120 °C | Operating temperature max. |