

## NKX35-Z-XL

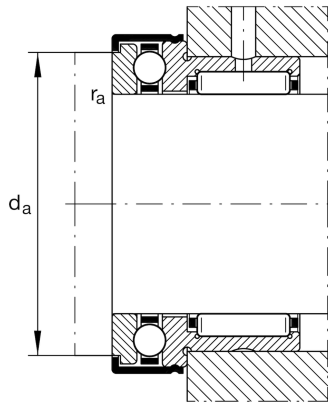
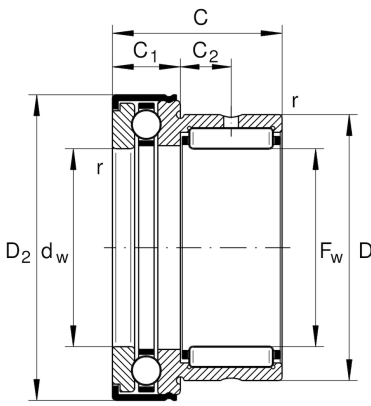
Needle roller/axial ball bearing

Schaeffler Kimliği:  
0507476060000

Needle roller/axial ball bearings NKX...-Z, axial component, single direction, to DIN 5429, with end cap, for grease lubrication

X-life

### Teknik bilgiler



### Dimensions

$D_{1\max}$	53,2 mm	Maximum outside diameter flange
$D_{2\max}$	53,2 mm	Maximum outside diameter flange
$C_1$	12 mm	Width of the axial bearing component
$C_1$	9 mm	Distance to lubrication hole
$C_2$	9 mm	Distance to lubrication hole
$d_w$	35 mm	Bore diameter of shaft washer
$r_{\min}$	0,6 mm	Minimum chamfer dimension
	166,8 g	Ağırlık

### Main Dimensions & Performance Data

$F_w$	35 mm	Bore diameter
$D$	47 mm	Outside diameter
$C$	30 mm	Height
$C_r$	27.500 N	Basic dynamic load rating, radial
$C_{0r}$	41.500 N	Basic static load rating, radial
$C_a$	21.200 N	Basic dynamic load rating, axial
$C_{0a}$	47.000 N	Basic static load rating, axial
$C_{ur}$	7.400 N	Fatigue load limit, radial
$C_{ua}$	2.340 N	Fatigue load limit, axial
$n_G$	4.600 1/min	Limiting speed

### Mounting dimensions

$d_a$	47,7 mm	Mounting dimension shaft shoulder
$r_{a\max}$	0,6 mm	Maximum recess radius

### Additional information

IR30X35X20-XL

Suitable inner rings IR

**Temperature range**

T <sub>min</sub>	-30 °C	Operating temperature min.
T <sub>max</sub>	120 °C	Operating temperature max.