

## NKX30-Z-XL

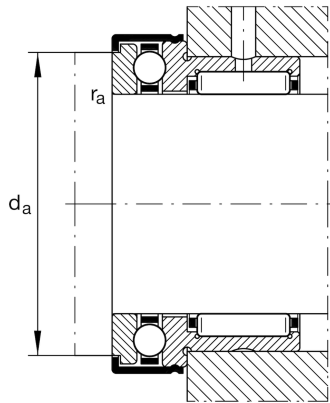
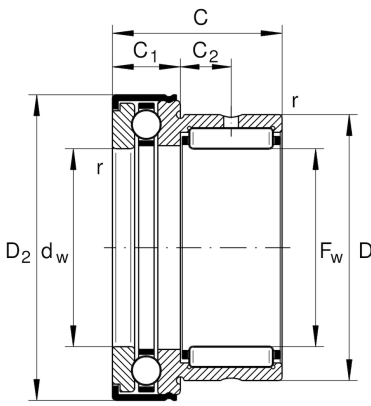
Needle roller/axial ball bearing

Schaeffler Kimliği:  
0507475920000

Needle roller/axial ball bearings NKX...-Z, axial component, single direction, to DIN 5429, with end cap, for grease lubrication

X-life

### Teknik bilgiler



#### Dimensions

$D_{1\max}$	48,2 mm	Maximum outside diameter flange
$D_{2\max}$	48,2 mm	Maximum outside diameter flange
$C_1$	11 mm	Width of the axial bearing component
$C_1$	9,5 mm	Distance to lubrication hole
$C_2$	9,5 mm	Distance to lubrication hole
$d_w$	30 mm	Bore diameter of shaft washer
$r_{\min}$	0,6 mm	Minimum chamfer dimension
	144,16 g	Ağırlık

#### Main Dimensions & Performance Data

$F_w$	30 mm	Bore diameter
$D$	42 mm	Outside diameter
$C$	30 mm	Height
$C_r$	25.500 N	Basic dynamic load rating, radial
$C_{0r}$	36.000 N	Basic static load rating, radial
$C_a$	20.400 N	Basic dynamic load rating, axial
$C_{0a}$	42.000 N	Basic static load rating, axial
$C_{ur}$	6.400 N	Fatigue load limit, radial
$C_{ua}$	2.090 N	Fatigue load limit, axial
$n_G$	5.000 1/min	Limiting speed

#### Mounting dimensions

$d_a$	42,7 mm	Mounting dimension shaft shoulder
$r_{a\max}$	0,6 mm	Maximum recess radius

#### Additional information

IR25X30X20-XL

Suitable inner rings IR

**Temperature range**

T <sub>min</sub>	-30 °C	Operating temperature min.
T <sub>max</sub>	120 °C	Operating temperature max.