

## NKX20-Z-XL

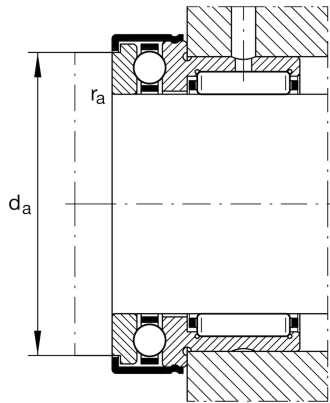
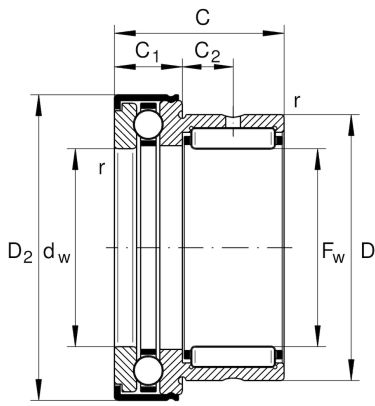
Needle roller/axial ball bearing

Schaeffler Kimliği:  
0507475760000

Needle roller/axial ball bearings NKX...-Z, axial component, single direction, to DIN 5429, with end cap, for grease lubrication

X-life

### Teknik bilgiler



### Dimensions

$D_{1\max}$	36,2 mm	Maximum outside diameter flange
$D_{2\max}$	36,2 mm	Maximum outside diameter flange
$C_1$	10 mm	Width of the axial bearing component
$C_1$	10,5 mm	Distance to lubrication hole
$C_2$	10,5 mm	Distance to lubrication hole
$d_w$	20 mm	Bore diameter of shaft washer
$r_{\min}$	0,3 mm	Minimum chamfer dimension
	85,14 g	Ağırlık

### Main Dimensions & Performance Data

$F_w$	20 mm	Bore diameter
$D$	30 mm	Outside diameter
$C$	30 mm	Height
$C_r$	18.600 N	Basic dynamic load rating, radial
$C_{0r}$	23.800 N	Basic static load rating, radial
$C_a$	14.200 N	Basic dynamic load rating, axial
$C_{0a}$	24.700 N	Basic static load rating, axial
$C_{ur}$	4.200 N	Fatigue load limit, radial
$C_{ua}$	1.220 N	Fatigue load limit, axial
$n_G$	7.500 1/min	Limiting speed

### Mounting dimensions

$d_a$	30,7 mm	Mounting dimension shaft shoulder
$r_{a\max}$	0,3 mm	Maximum recess radius

### Additional information

IR17X20X20-XL

Suitable inner rings IR

**Temperature range**

T <sub>min</sub>	-30 °C	Operating temperature min.
T <sub>max</sub>	120 °C	Operating temperature max.