

## NKX15-Z-XL

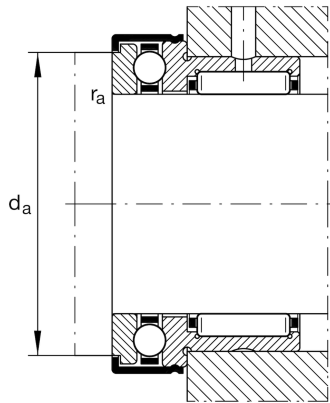
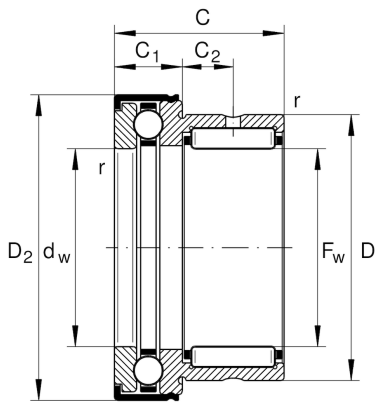
### Needle roller/axial ball bearing

Schaeffler Kimliği:  
0507475680000

Needle roller/axial ball bearings NKX...-Z, axial component, single direction, to DIN 5429, with end cap, for grease lubrication

X-life

### Teknik bilgiler



### Dimensions

$D_{1\max}$	29,2 mm	Maximum outside diameter flange
$D_{2\max}$	29,2 mm	Maximum outside diameter flange
$C_1$	9 mm	Width of the axial bearing component
$C_1$	6,5 mm	Distance to lubrication hole
$C_2$	6,5 mm	Distance to lubrication hole
$d_w$	15 mm	Bore diameter of shaft washer
$r_{\min}$	0,3 mm	Minimum chamfer dimension
	46,13 g	Ağırlık

### Main Dimensions & Performance Data

$F_w$	15 mm	Bore diameter
$D$	24 mm	Outside diameter
$C$	23 mm	Height
$C_r$	12.100 N	Basic dynamic load rating, radial
$C_{0r}$	12.700 N	Basic static load rating, radial
$C_a$	10.500 N	Basic dynamic load rating, axial
$C_{0a}$	16.800 N	Basic static load rating, axial
$C_{ur}$	2.360 N	Fatigue load limit, radial
$C_{ua}$	830 N	Fatigue load limit, axial
$n_G$	9.500 1/min	Limiting speed

### Mounting dimensions

$d_a$	23,7 mm	Mounting dimension shaft shoulder
$r_{a\max}$	0,3 mm	Maximum recess radius

### Additional information

IR12X15X16-XL

Suitable inner rings IR

**Temperature range**

T <sub>min</sub>	-30 °C	Operating temperature min.
T <sub>max</sub>	120 °C	Operating temperature max.