

## NKX12-Z-XL

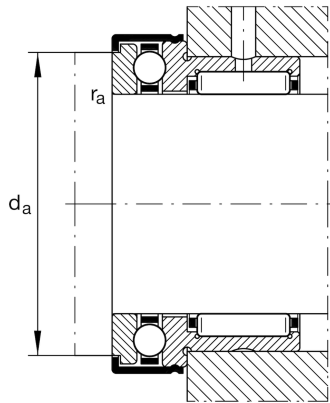
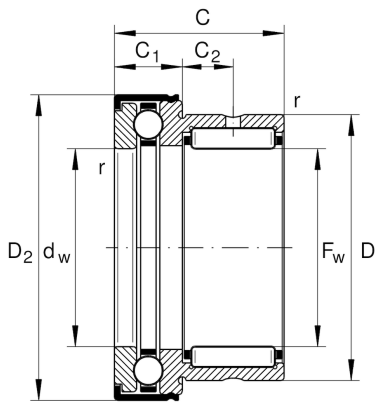
Needle roller/axial ball bearing

Schaeffler Kimliği:  
0507475500000

Needle roller/axial ball bearings NKX...-Z, axial component, single direction, to DIN 5429, with end cap, for grease lubrication

X-life

### Teknik bilgiler



### Dimensions

$D_{1\max}$	27,2 mm	Maximum outside diameter flange
$D_{2\max}$	27,2 mm	Maximum outside diameter flange
$C_1$	9 mm	Width of the axial bearing component
$C_1$	6,5 mm	Distance to lubrication hole
$C_2$	6,5 mm	Distance to lubrication hole
$d_w$	12 mm	Bore diameter of shaft washer
$r_{\min}$	0,3 mm	Minimum chamfer dimension
	42,73 g	Ağırlık

### Main Dimensions & Performance Data

$F_w$	12 mm	Bore diameter
$D$	21 mm	Outside diameter
$C$	23 mm	Height
$C_r$	10.100 N	Basic dynamic load rating, radial
$C_{0r}$	11.000 N	Basic static load rating, radial
$C_a$	10.300 N	Basic dynamic load rating, axial
$C_{0a}$	15.400 N	Basic static load rating, axial
$C_{ur}$	1.950 N	Fatigue load limit, radial
$C_{ua}$	760 N	Fatigue load limit, axial
$n_G$	11.000 1/min	Limiting speed

### Mounting dimensions

$d_a$	21,7 mm	Mounting dimension shaft shoulder
$r_{a\max}$	0,3 mm	Maximum recess radius

### Additional information

IR9X12X16-XL

Suitable inner rings IR

**Temperature range**

T <sub>min</sub>	-30 °C	Operating temperature min.
T <sub>max</sub>	120 °C	Operating temperature max.