

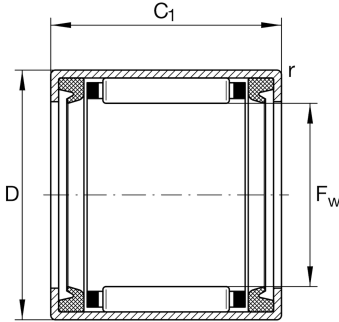
HK5024-2RS

Drawn cup needle roller bearing open end

Schaeffler Kimliği:
0002452400968

Drawn cup needle roller bearings with open ends HK..-2RS, lip seals on both sides, to DIN 618

Teknik bilgiler



Dimensions

C_1	24 mm	Width, outer ring
r_{min}	0,8 mm	Minimum chamfer dimension
	81,305 g	Ağırlık

Main Dimensions & Performance Data

F_w	50 mm	Under roller diameter
D	58 mm	Outside diameter
C	24 mm	Width
C_r	31.000 N	Basic dynamic load rating, radial
C_{0r}	63.000 N	Basic static load rating, radial
C_{ur}	8.400 N	Fatigue load limit, radial
n_G	3.150 1/min	Limiting speed
$n_{G Grease}$	3.150 1/min	Limiting speed for grease lubrication

Additional information

IR45X50X25-XL	Suitable inner rings IR
---------------	-------------------------

Temperature range

T_{min}	-20 °C	Operating temperature min.
T_{max}	100 °C	Operating temperature max.