

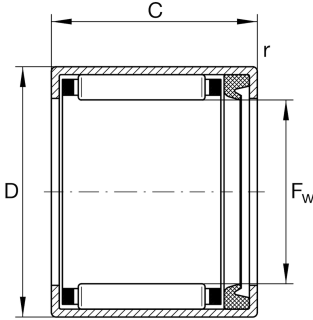
## HK5022-RS

Drawn cup needle roller bearing open end

Schaeffler Kimliği:  
0002452590968

Drawn cup needle roller bearings with open ends HK..-RS, lip seal on one side, to DIN 618

### Teknik bilgiler



#### Dimensions

$C_1$	22 mm	Width, outer ring
$r_{min}$	0,8 mm	Minimum chamfer dimension
	76,32 g	Ağırlık

#### Main Dimensions & Performance Data

$F_w$	50 mm	Under roller diameter
$D$	58 mm	Outside diameter
$C$	22 mm	Width
$C_r$	31.000 N	Basic dynamic load rating, radial
$C_{0r}$	63.000 N	Basic static load rating, radial
$C_{ur}$	8.400 N	Fatigue load limit, radial
$n_G$	3.150 1/min	Limiting speed
$n_{G Grease}$	3.150 1/min	Limiting speed for grease lubrication

#### Additional information

IR45X50X25-XL	Suitable inner rings IR
---------------	-------------------------

#### Temperature range

$T_{min}$	-20 °C	Operating temperature min.
$T_{max}$	100 °C	Operating temperature max.