

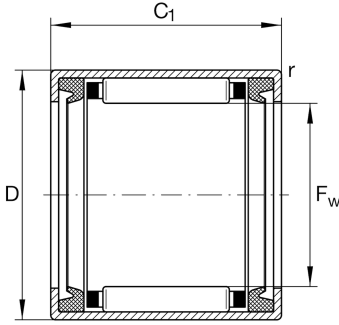
HK4020-2RS

Drawn cup needle roller bearing open end

Schaeffler Kimliği:
0002488350968

Drawn cup needle roller bearings with open ends HK..-2RS, lip seals on both sides, to DIN 618

Teknik bilgiler



Dimensions

| | | |
|-----------|---------|---------------------------|
| C_1 | 20 mm | Width, outer ring |
| r_{min} | 0,8 mm | Minimum chamfer dimension |
| | 47,66 g | Ağırlık |

Main Dimensions & Performance Data

| | | |
|----------------|-------------|---------------------------------------|
| F_w | 40 mm | Under roller diameter |
| D | 47 mm | Outside diameter |
| C | 20 mm | Width |
| C_r | 20.000 N | Basic dynamic load rating, radial |
| C_{0r} | 38.500 N | Basic static load rating, radial |
| C_{ur} | 5.100 N | Fatigue load limit, radial |
| n_G | 3.950 1/min | Limiting speed |
| $n_{G Grease}$ | 3.950 1/min | Limiting speed for grease lubrication |

Additional information

| | |
|---------------|-------------------------|
| LR35X40X20,5 | Suitable inner rings LR |
| IR35X40X20-XL | Suitable inner rings IR |

Temperature range

| | | |
|-----------|--------|----------------------------|
| T_{min} | -20 °C | Operating temperature min. |
| T_{max} | 100 °C | Operating temperature max. |