

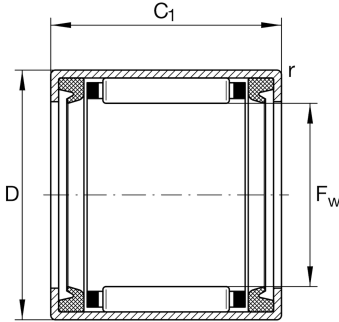
HK2820-2RS

Drawn cup needle roller bearing open end

Schaeffler Kimliği:
0007908850968

Drawn cup needle roller bearings with open ends HK..-2RS, lip seals on both sides, to DIN 618

Teknik bilgiler



Dimensions

C_1	20 mm	Width, outer ring
r_{min}	0,8 mm	Minimum chamfer dimension
	34 g	Ağırlık

Main Dimensions & Performance Data

F_w	28 mm	Under roller diameter
D	35 mm	Outside diameter
C	20 mm	Width
C_r	16.400 N	Basic dynamic load rating, radial
C_{0r}	26.500 N	Basic static load rating, radial
C_{ur}	3.500 N	Fatigue load limit, radial
n_G	5.500 1/min	Limiting speed
$n_{G Grease}$	5.500 1/min	Limiting speed for grease lubrication

Additional information

LR22X28X20,5	Suitable inner rings LR
IR22X28X20-XL	Suitable inner rings IR

Temperature range

T_{min}	-20 °C	Operating temperature min.
T_{max}	100 °C	Operating temperature max.