

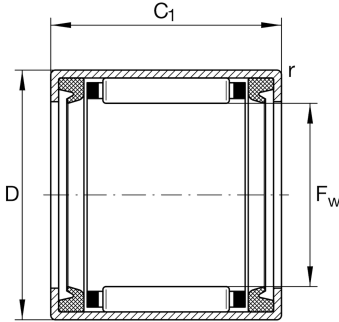
HK2524-2RS

Drawn cup needle roller bearing open end

Schaeffler Kimliği:
0007018580968

Drawn cup needle roller bearings with open ends HK..-2RS, lip seals on both sides, to DIN 618

Teknik bilgiler



Dimensions

C_1	24 mm	Width, outer ring
r_{min}	0,8 mm	Minimum chamfer dimension
	37,985 g	Ağırlık

Main Dimensions & Performance Data

F_w	25 mm	Under roller diameter
D	32 mm	Outside diameter
C	24 mm	Width
C_r	19.900 N	Basic dynamic load rating, radial
C_{0r}	33.000 N	Basic static load rating, radial
C_{ur}	4.300 N	Fatigue load limit, radial
n_G	6.100 1/min	Limiting speed
$n_{G \text{ Grease}}$	6.100 1/min	Limiting speed for grease lubrication

Temperature range

T_{min}	-20 °C	Operating temperature min.
T_{max}	100 °C	Operating temperature max.