

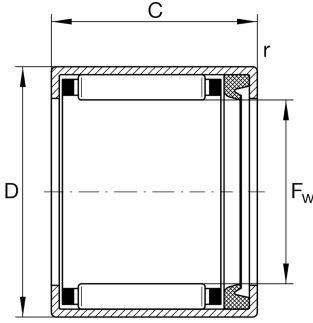
## HK2218-RS

Drawn cup needle roller bearing open end

Schaeffler Kimliği:  
0007010680968

Drawn cup needle roller bearings with open ends HK..-RS, lip seal on one side, to DIN 618

### Teknik bilgiler



#### Dimensions

$C_1$	18 mm	Width, outer ring
$r_{min}$	0,8 mm	Minimum chamfer dimension
	22,24 g	Ağırlık

#### Main Dimensions & Performance Data

$F_w$	22 mm	Under roller diameter
D	28 mm	Outside diameter
C	18 mm	Width
$C_r$	13.400 N	Basic dynamic load rating, radial
$C_{0r}$	22.100 N	Basic static load rating, radial
$C_{ur}$	2.850 N	Fatigue load limit, radial
$n_G$	7.000 1/min	Limiting speed
$n_{G Grease}$	7.000 1/min	Limiting speed for grease lubrication

#### Additional information

IR17X22X23-XL	Suitable inner rings IR
---------------	-------------------------

#### Temperature range

$T_{min}$	-20 °C	Operating temperature min.
$T_{max}$	100 °C	Operating temperature max.