

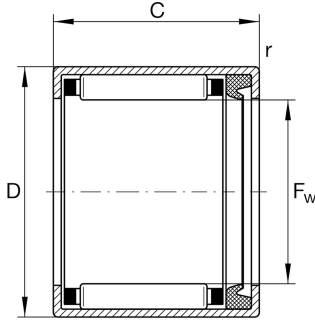
HK2214-RS

Drawn cup needle roller bearing open end

Schaeffler Kimliği:
0007010410968

Drawn cup needle roller bearings with open ends HK..-RS, lip seal on one side, to DIN 618

Teknik bilgiler



Dimensions

| | | |
|-----------|--------|---------------------------|
| C_1 | 14 mm | Width, outer ring |
| r_{min} | 0,8 mm | Minimum chamfer dimension |
| | 16,7 g | Ağırlık |

Main Dimensions & Performance Data

| | | |
|----------------|-------------|---------------------------------------|
| F_w | 22 mm | Under roller diameter |
| D | 28 mm | Outside diameter |
| C | 14 mm | Width |
| C_r | 9.100 N | Basic dynamic load rating, radial |
| C_{0r} | 13.400 N | Basic static load rating, radial |
| C_{ur} | 1.630 N | Fatigue load limit, radial |
| n_G | 7.000 1/min | Limiting speed |
| $n_{G Grease}$ | 7.000 1/min | Limiting speed for grease lubrication |

Additional information

| | | |
|--|---------------|-------------------------|
| | IR17X22X16-XL | Suitable inner rings IR |
|--|---------------|-------------------------|

Temperature range

| | | |
|-----------|--------|----------------------------|
| T_{min} | -20 °C | Operating temperature min. |
| T_{max} | 100 °C | Operating temperature max. |