

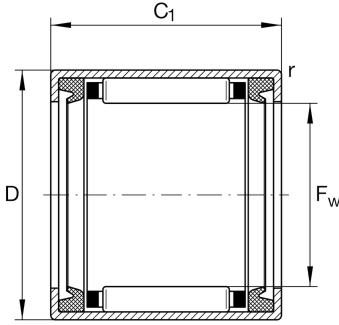
HK1416-2RS

Drawn cup needle roller bearing open end

Schaeffler Kimliği:
0007001770968

Drawn cup needle roller bearings with open ends HK..-2RS, lip seals on both sides, to DIN 618

Teknik bilgiler



Dimensions

C_1	16 mm	Width, outer ring
r_{min}	0,8 mm	Minimum chamfer dimension
	12,655 g	Ağırlık

Main Dimensions & Performance Data

F_w	14 mm	Under roller diameter
D	20 mm	Outside diameter
C	16 mm	Width
C_r	7.100 N	Basic dynamic load rating, radial
C_{0r}	8.500 N	Basic static load rating, radial
C_{ur}	1.030 N	Fatigue load limit, radial
n_G	10.500 1/min	Limiting speed
$n_{G Grease}$	10.500 1/min	Limiting speed for grease lubrication

Temperature range

T_{min}	-20 °C	Operating temperature min.
T_{max}	100 °C	Operating temperature max.