

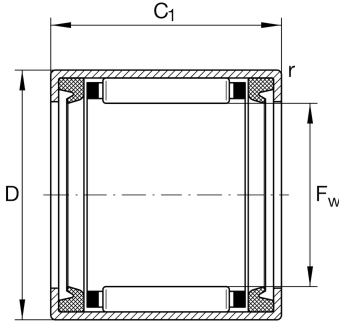
HK0812-2RS

Drawn cup needle roller bearing open end

Schaeffler Kimliği:
0074488560000

Drawn cup needle roller bearings with open ends HK..-2RS, lip seals on both sides, to DIN 618

Teknik bilgiler



Dimensions

C_1	12 mm	Width, outer ring
r_{min}	0,4 mm	Minimum chamfer dimension
	3,46 g	Ağırlık

Main Dimensions & Performance Data

F_w	8 mm	Under roller diameter
D	12 mm	Outside diameter
C	12 mm	Width
C_r	2.750 N	Basic dynamic load rating, radial
C_{0r}	2.600 N	Basic static load rating, radial
C_{ur}	300 N	Fatigue load limit, radial

Additional information

IR5X8X12-XL	Suitable inner rings IR
-------------	-------------------------

Temperature range

T_{min}	-20 °C	Operating temperature min.
T_{max}	100 °C	Operating temperature max.