

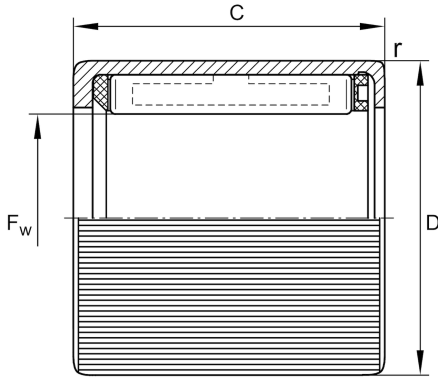
## HF0406-KF-R

### Drawn cup roller clutch

Schaeffler Kimliği:  
0017057500962

Drawn cup roller clutches HF..-KF-R, with plastic springs and knurled outer ring

### Teknik bilgiler



### Main Dimensions & Performance Data

$F_w$	4 mm	Under roller diameter
D	8 mm	Outside diameter
C	6 mm	Width, outer ring
$r_{min}$	0,3 mm	Minimum chamfer dimension
$M_{d per}$	0,1 Nm	Permissible torque
$n_{GW}$	34.000 1/min	Limiting speed for rotating shaft
$n_{GA}$	8.000 1/min	Limiting speed for rotating outer ring
	0,973 g	Ağırlık

### Additional information

HK0408	Drawn cup needle roller bearings for radial bearing arrangement
--------	---

### Temperature range

$T_{min}$	-10 °C	Operating temperature min.
$T_{max}$	70 °C	Operating temperature max.