

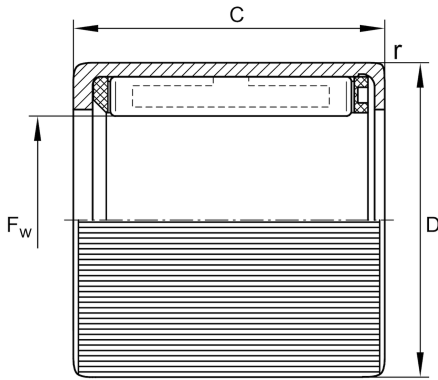
HF0306-KF-R

Drawn cup roller clutch

Schaeffler Kimliği:
0012316000962

Drawn cup roller clutches with plastic
springs and knurled outer ring

Teknik bilgiler



Main Dimensions & Performance Data

F_w	3 mm	Under roller diameter
D	6,5 mm	Outside diameter
C	6 mm	Width, outer ring
r_{min}	0,3 mm	Minimum chamfer dimension
$M_{d per}$	0,06 Nm	Permissible torque
n_{GW}	45.000 1/min	Limiting speed for rotating shaft
n_{GA}	8.000 1/min	Limiting speed for rotating outer ring
	0,717 g	Ağırlık

Additional information

HK0306-TV	Drawn cup needle roller bearings for radial bearing arrangement
-----------	--

Temperature range

T_{min}	-10 °C	Operating temperature min.
T_{max}	70 °C	Operating temperature max.